

QUESTION BANK FOR UNIT TEST 1

CHAPTER 1 (4 MARKS FOR EACH QUESTIONS)

Q1) Draw the conventional representation of following.

- a) Zinc b) Asbestos c) Concrete d) Aluminum

Q2) Draw the conventional representation of following.

- a) Tubing b) T- Section c) Radial Ribs d) Ratchet and Pinion

Q3) Draw the conventional representation of following.

- a) Serrated Shaft b) Bearing c) Plug d) Union.

Q4) Draw the conventional representation of following.

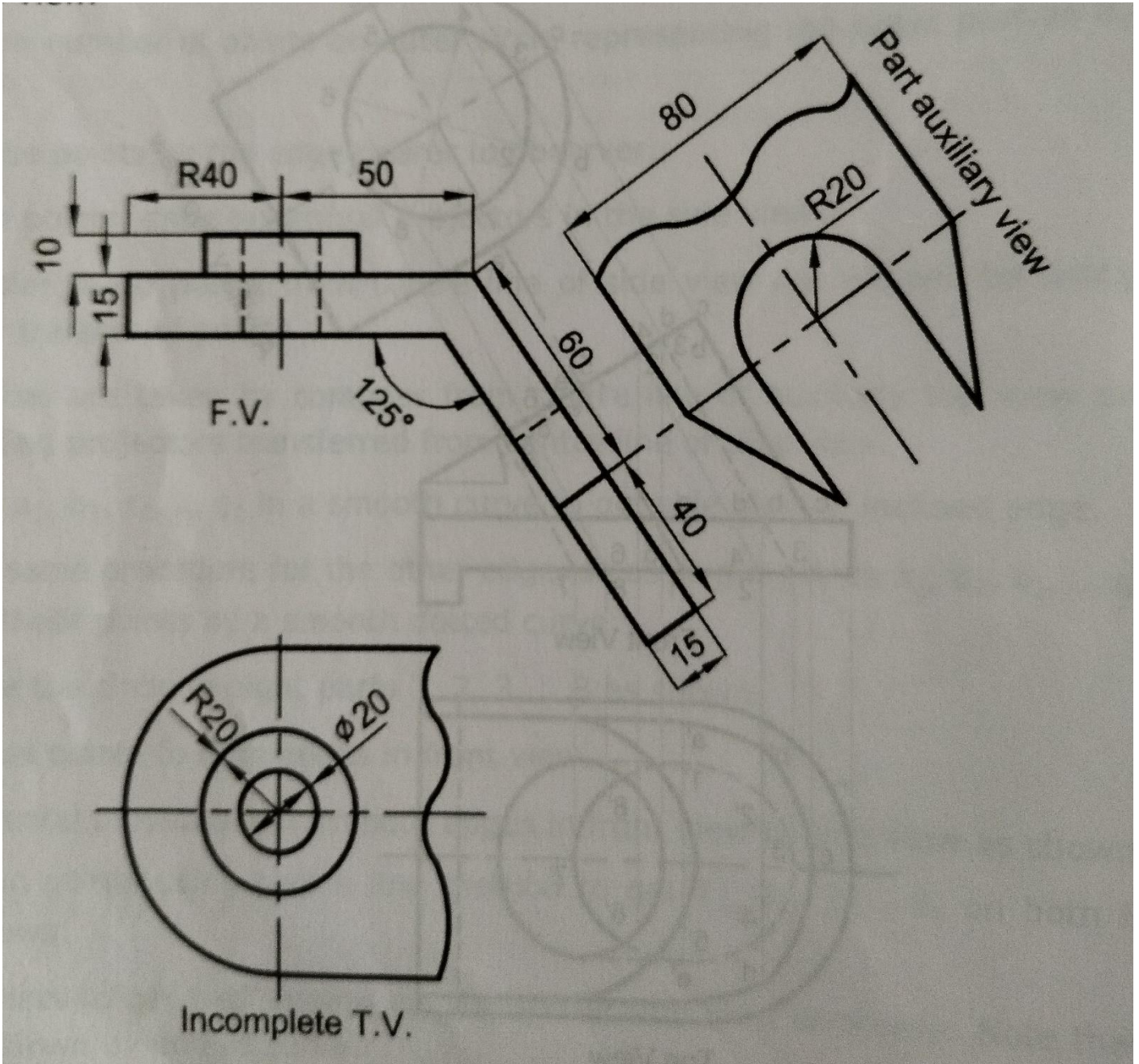
- a) Gate Valve b) Check Valve c) Spur Gear d) Rack & Pinion Gear

Q5) Draw the conventional representation of following.

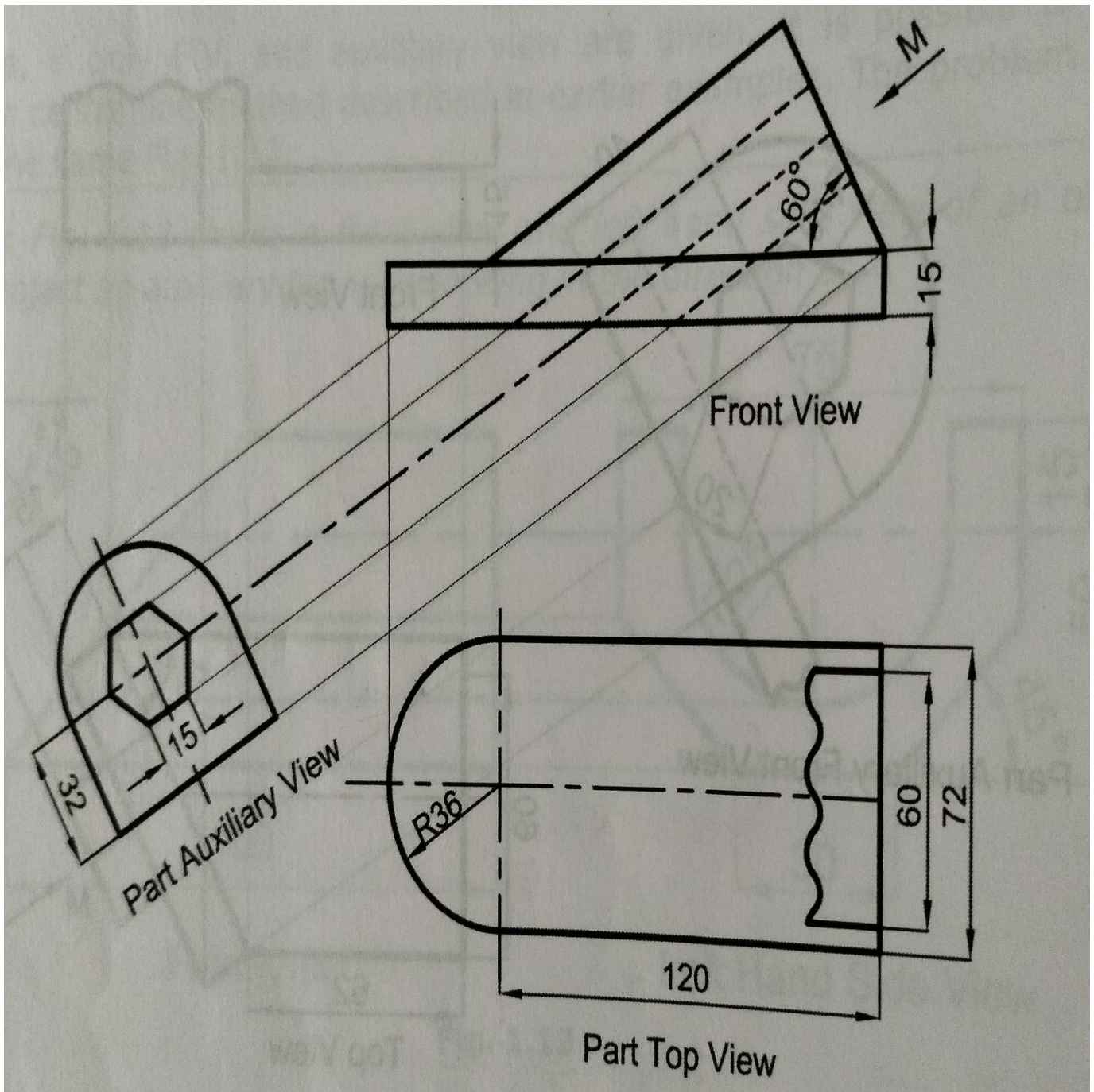
- a) Counter bore b) Tension Spring c) Semi elliptical leaf spring with eyelets and center band d) repeated parts.

CHAPTER 2 (8 MARKS FOR EACH QUESTIONS)

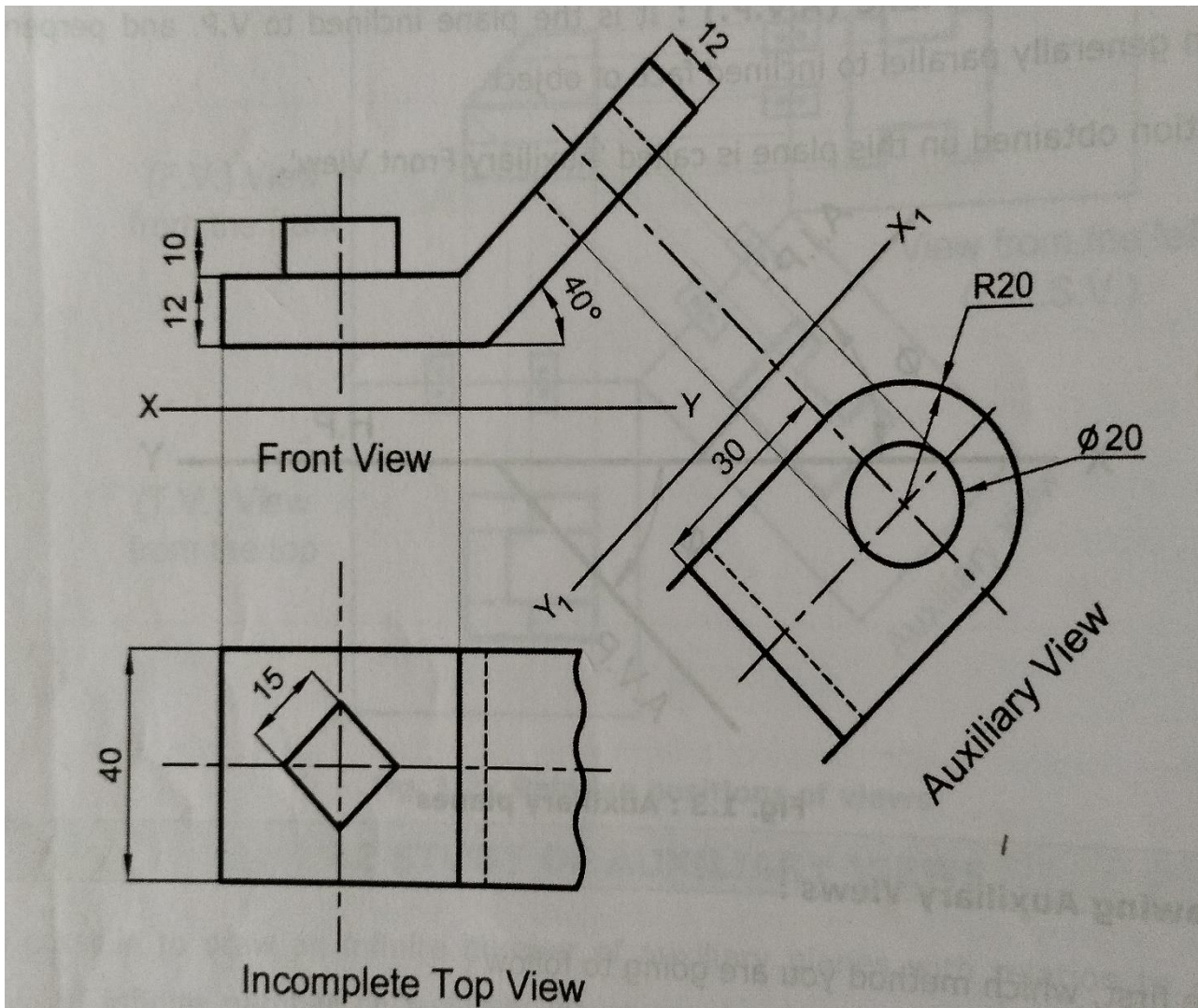
1. Figure shows partial auxiliary view and incomplete top view of an object, complete the top view.



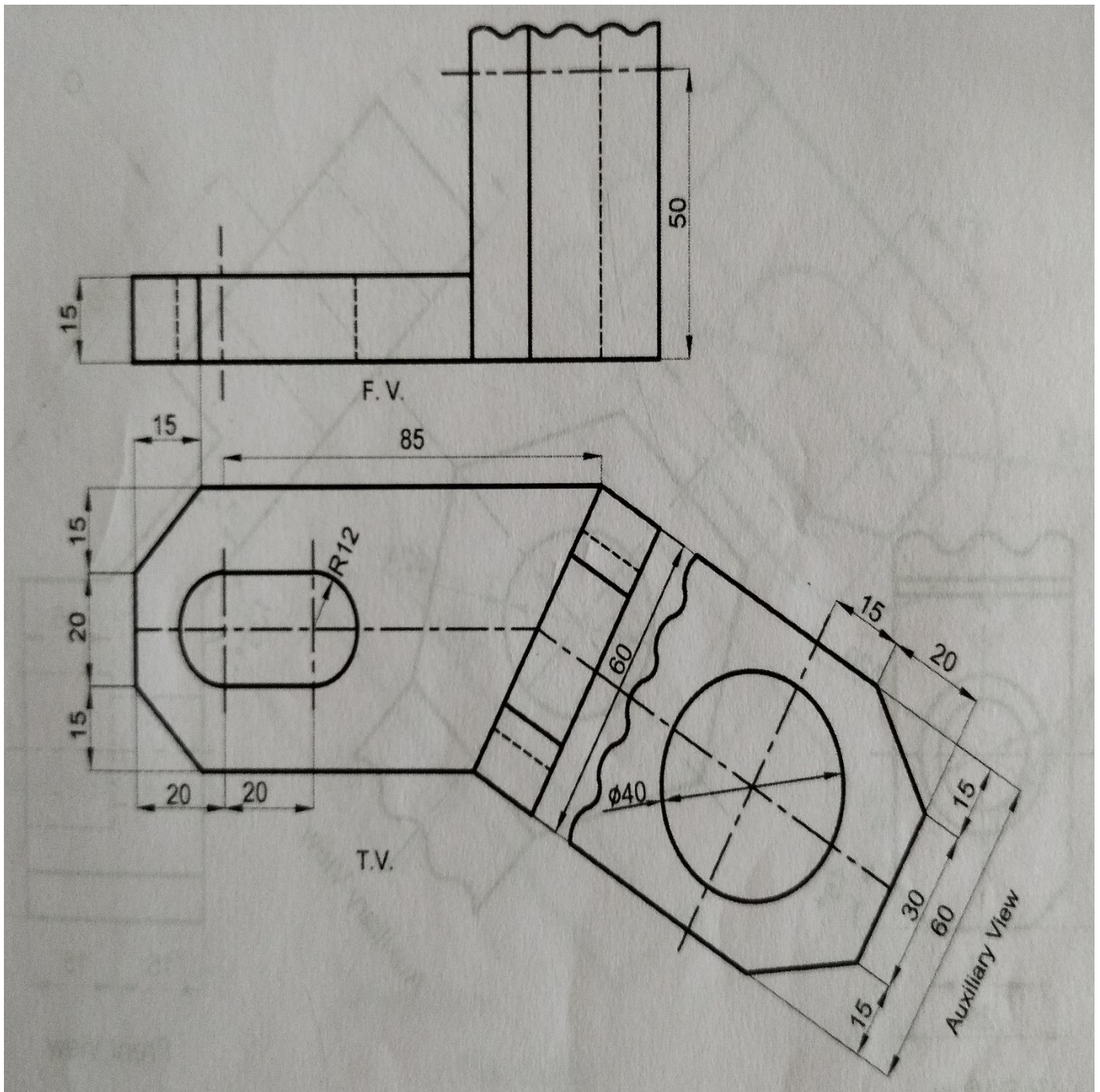
2) Figure shows front view and partial auxiliary view and incomplete top view of an object, complete the top view.



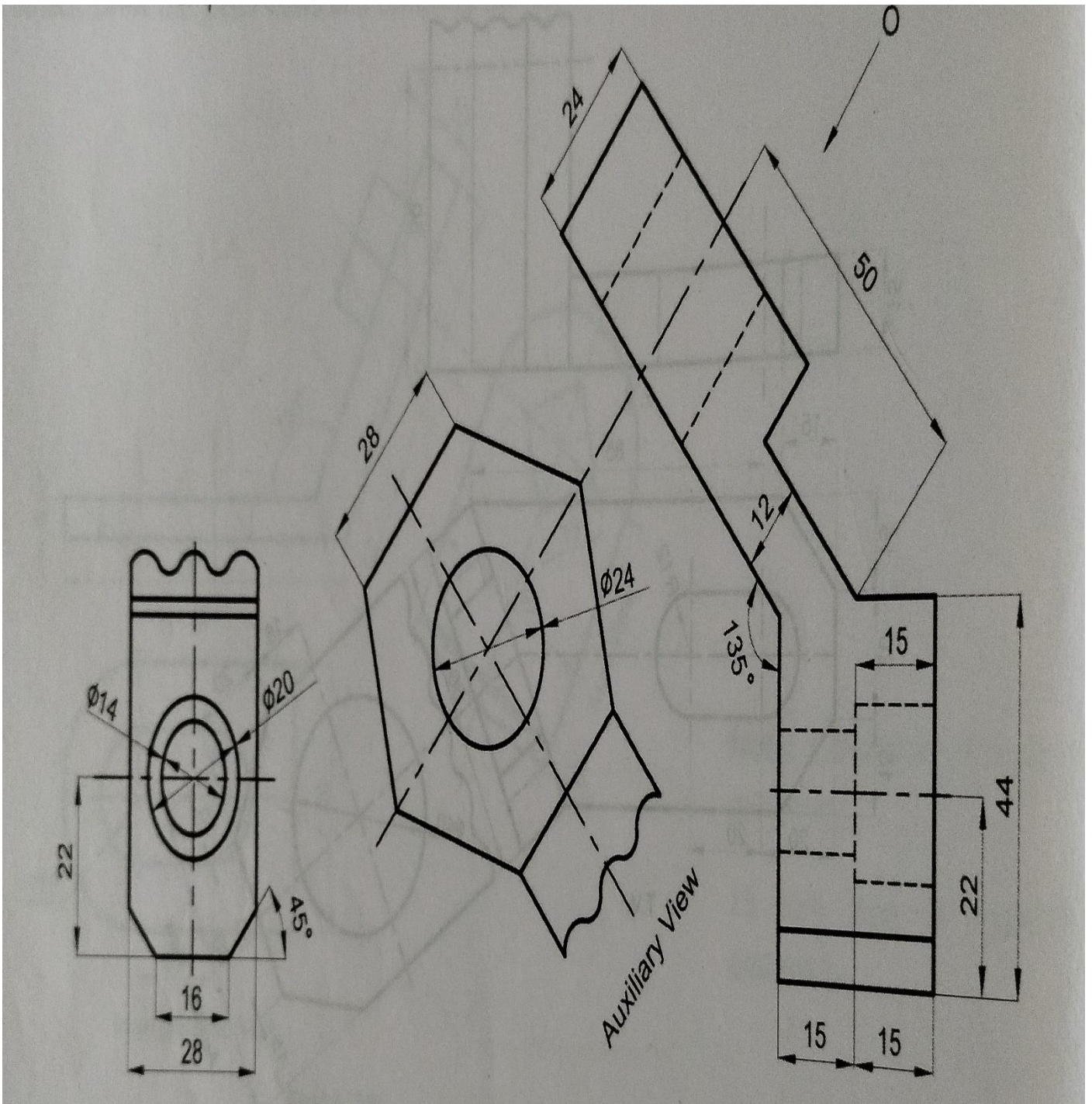
3) Figure shows front view and partial auxiliary view and incomplete top view of an object, redraw the given fig and complete the top view.



4) Figure shows incomplete front view, partial auxiliary view and top view of an object, complete the front view.

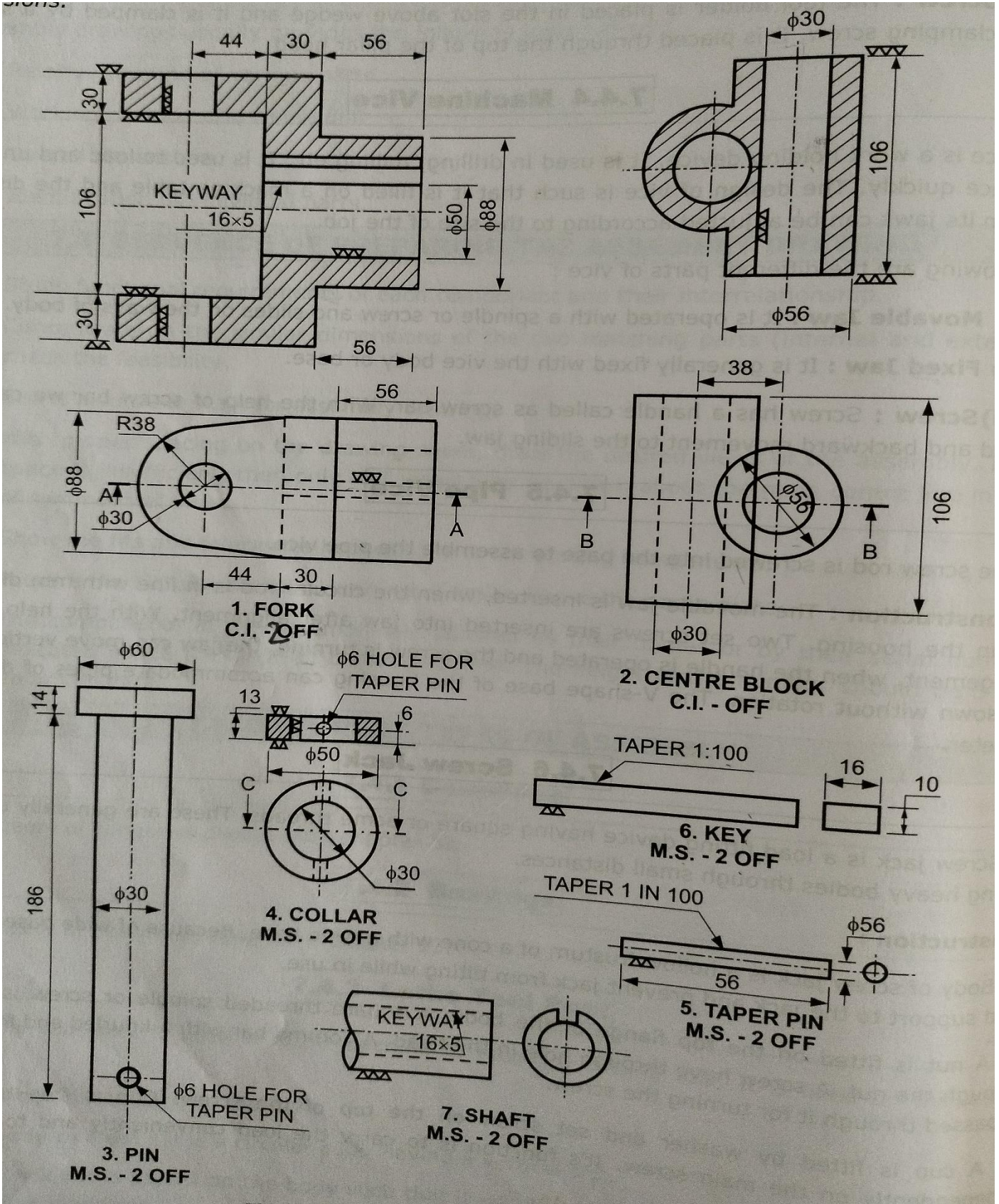


5) Figure shows front view and partial side view and partial auxiliary view of an object, complete the side view.

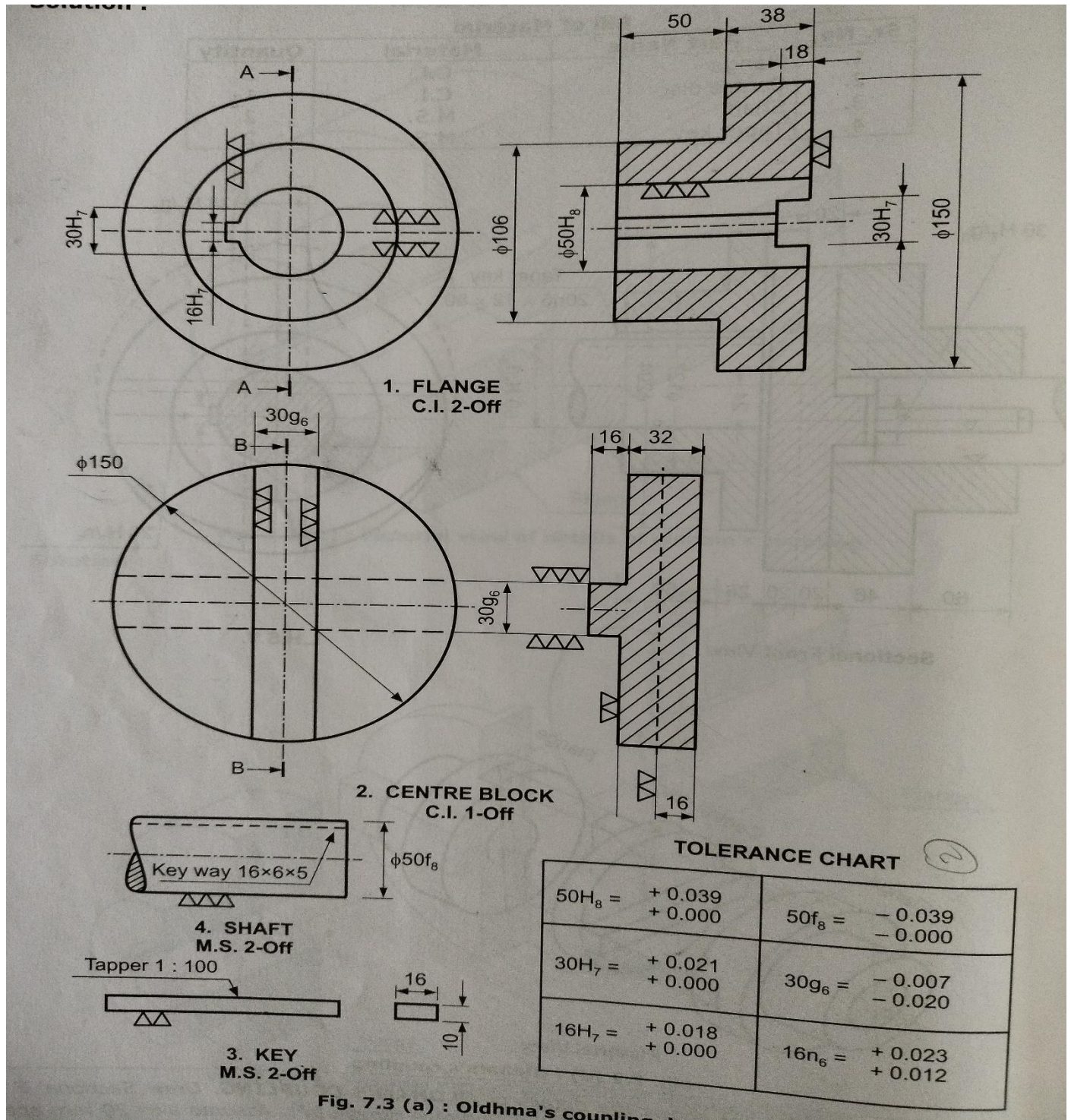


CHAPTER 5 (14 MARKS FOR EACH QUESTION)

Q1) Figure shows details of Universal Coupling. Draw the following views of the assembly. A) Sectional FV B) Top View C) Dimensions



Q2) Figure shows details of Oldham's Coupling. Draw the following views of the assembly. A) Sectional FV B) LHSV C) Dimensions.



Q3) Figure shows details of Foot Step Bearing. Draw the following views of the assembly. A) Sectional FV B) Top View C) Dimensions.

